

[Skip to content](#)

Manuals+

User Manuals Simplified.



ECOVACS Deebot U2 Instruction Manual

Home » [ECOVACS](#) » ECOVACS Deebot U2 Instruction Manual 

ECOVACS Deebot U2 Instruction Manual



DEEBOT U2 Series **Instruction Manual/說明書**

Live Smart. Enjoy Life.

Should you encounter situations that have not been properly addressed in this Instruction Manual, please contact our Customer Service Center where a technician will be able to help you with your specific problem or question.

For more information, please visit the ECOVACS ROBOTICS official website: www.ecovacs.com

The company reserves the right to make technological and/or design changes to this product for continuous improvement.

Thank you for choosing DEEBOT!

Contents [[hide](#)]

- [1 Important Safety Instructions](#)
- [2 Package Contents](#)
 - [2.1 Package Contents](#)
 - [2.2 Product Diagram](#)
- [3 Operating and Programming](#)
 - [3.1 Notes Before Cleaning](#)
 - [3.2 Quick Start](#)
 - [3.3 Charging DEEBOT](#)
 - [3.4 ECOVACS HOME App](#)
 - [3.5 2.5 Operating DEEBOT](#)
 - [3.6 Dust Bin & Reservoir](#)
- [4 Maintenance](#)
 - [4.1 Regular Maintenance](#)
 - [4.2 Dust Bin & Reservoir](#)
 - [4.3 Main Brush & Side Brushes](#)
 - [4.4 Other Components](#)
- [5 Troubleshooting](#)
 - [5.1 Wi-Fi Connection](#)
- [6 Product Specifications](#)
- [7 File Downloads](#)
- [8 References](#)
- [9 Related Manuals](#)

Important Safety Instructions

When using an electrical Appliance, basic precautions should always be followed, including the following:



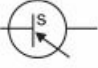




READ ALL INSTRUCTIONS BEFORE USING THIS APPLIANCE

1. This Appliance is not intended for use by persons (including children) with reduced physical, sensory or mental capabilities, or lack of experience and knowledge, unless they have been given supervision or instruction concerning use of the Appliance by a person responsible for their safety.
2. Children should be supervised to ensure that they do not play with the Appliance.
3. Clear the area to be cleaned. Remove power cords and small objects from the floor that could entangle the Appliance. Tuck rug fringe under the rug base, and lift items such as curtains and tablecloths off the floor.
4. If there is a drop off in the cleaning area due to a step or stairs, you should operate the Appliance to ensure that it can detect the step without falling over the edge. It may become necessary to place a physical barrier at the edge to keep the unit from falling. Make sure the physical barrier is not a trip hazard.
5. Only use as described in this manual. Only use attachments recommended or sold by the manufacturer.
6. Please make sure your power supply source voltage matches the power voltage marked on the Docking Station.
7. For INDOOR household use ONLY. Do not use the Appliance in outdoor, commercial or industrial environments.
8. Use only the original rechargeable battery and Docking Station provided with the Appliance from the manufacturer. Non-rechargeable batteries are prohibited.
9. Do not use without dust bin and/or filters in place.
10. Do not operate the Appliance in an area where there are lit candles or fragile objects.
11. Do not use in extremely hot or cold environments (below $-5^{\circ}\text{C}/23^{\circ}\text{F}$ or above $40^{\circ}\text{C}/104^{\circ}\text{F}$).
12. Keep hair, loose clothing, fingers, and all parts of body away from any openings and moving parts.
13. Do not operate the Appliance in a room where an infant or child is sleeping.
14. Do not use Appliance on wet surfaces or surfaces with standing water.
15. Do not allow the Appliance to pick up large objects like stones, large pieces of paper or any item that may clog the Appliance.
16. Do not use Appliance to pick up flammable or combustible materials such as gasoline, printer or copier toner, or use in areas where they may be present.

17. Do not use Appliance to pick up anything that is burning or smoking, such as cigarettes, matches, hot ashes, or anything that could cause a fire.
18. Do not put objects into the suction intake. Do not use if the suction intake is blocked. Keep the intake clear of dust, lint, hair, or anything that may reduce air flow.
19. Take care not to damage the power cord. Do not pull on or carry the Appliance or Docking Station by the power cord, use the power cord as a handle, close a door on the power cord, or pull power cord around sharp edges or corners. Do not run Appliance over the power cord. Keep power cord away from hot surfaces.
20. If the power cord is damaged, it must be replaced by the manufacturer or its service agent in order to avoid a hazard.
21. Do not use the Docking Station if it is damaged. The power supply is not to be repaired and not to be used any longer if it is damaged or defective.
22. Do not use with a damaged power cord or receptacle. Do not use the Appliance or Docking Station if it is not working properly, has been dropped, damaged, left outdoors, or come in contact with water. It must be repaired by the manufacturer or its service agent in order to avoid a hazard.
23. Turn OFF the power switch before cleaning or maintaining the Appliance.
24. The plug must be removed from the receptacle before cleaning or maintaining the Docking Station.
25. Remove the Appliance from the Docking Station, and turn OFF the power switch to the Appliance before removing the battery for disposal of the Appliance.
26. The battery must be removed and discarded according to local laws and regulations before disposal of the Appliance.
27. Please dispose of used batteries according to local laws and regulations.
28. Do not incinerate the Appliance even if it is severely damaged. The batteries can explode in a fire.
29. When not using the Docking Station for a long period of time, please unplug it.
30. The Appliance must be used in accordance with the directions in this Instruction Manual. ECOVACS ROBOTICS cannot be held liable or responsible for any damages or injuries caused by improper use.
31. The robot contains batteries that are only replaceable by skilled persons. To replace the robot's battery, please contact Customer Service.
32. If the robot will not be used for a long time, power OFF the robot for storage and unplug the Docking Station.
33. **WARNING:** For the purposes of recharging the battery, only use the detachable supply unit DN622.13 provided with the Appliance.
34. This Appliance can be used by children aged from 8 years and above and persons with reduced physical, sensory or mental capabilities or lack of experience and knowledge if they have been given supervision or instruction concerning use of the Appliance in a safe way and understand the hazards involved. Children shall not play with the Appliance. Cleaning and user maintenance shall not be made by children without supervision. (For EU Countries)

To satisfy RF exposure requirements, a separation distance of 20 cm or more should be maintained between this device and persons during device operation.

To ensure compliance, operations at closer than this distance is not recommended. The antenna used for this transmitter must not be co-located in conjunction with any other antenna or transmitter.

	Class II
	Short-circuit-proof safety isolating transformer
	Switch mode power supply
	For indoor use only
	Direct current
	Alternating current
	detachable supply unit

For EU Countries

For EU Declaration of Conformity information, visit <https://www.ecovacs.com/global/compliance>

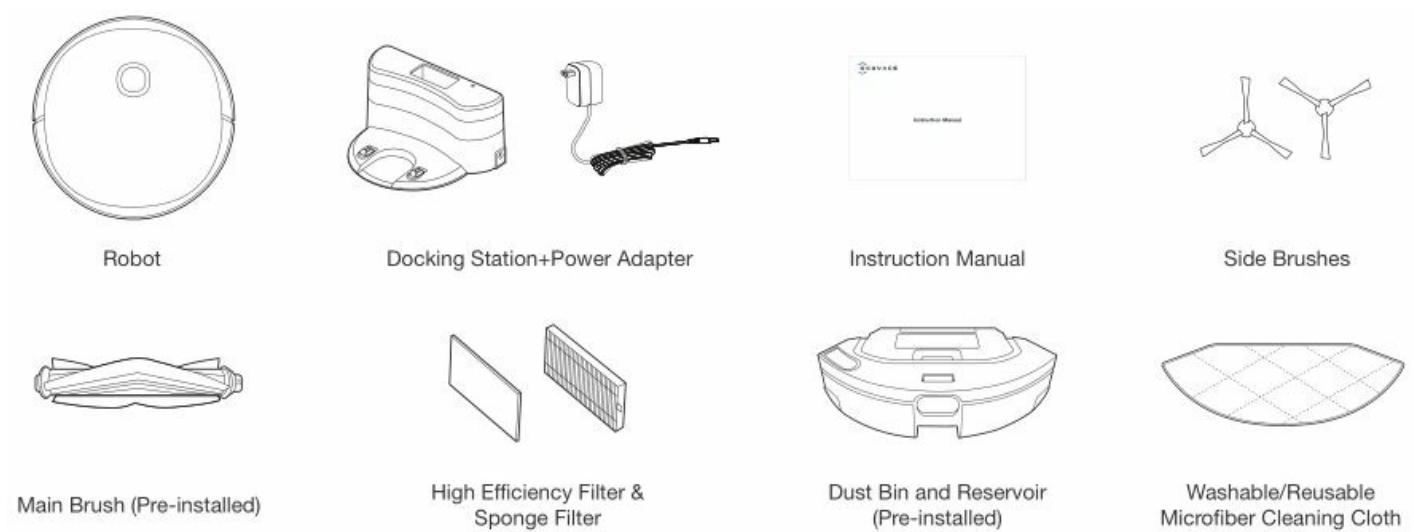


Correct Disposal of this Product

This marking indicates that this product should not be disposed of with other household waste throughout the EU. To prevent possible harm to the environment or human health from uncontrolled waste disposal, recycle it responsibly to promote the sustainable reuse of material resources. To recycle your used device, please use the return and collection systems or contact the retailer where the product was purchased. They can safely recycle this product.

Package Contents

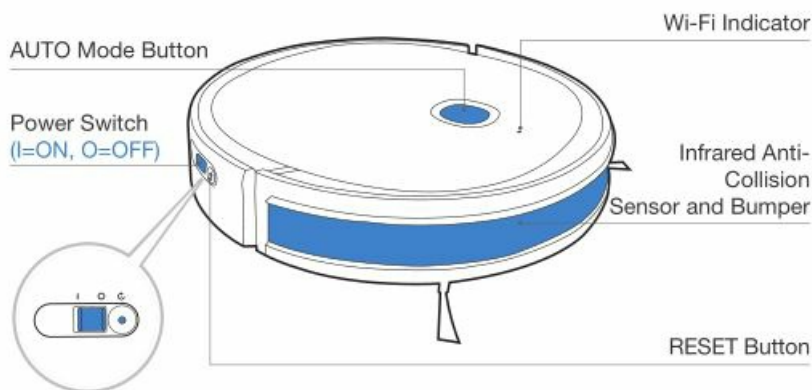
Package Contents



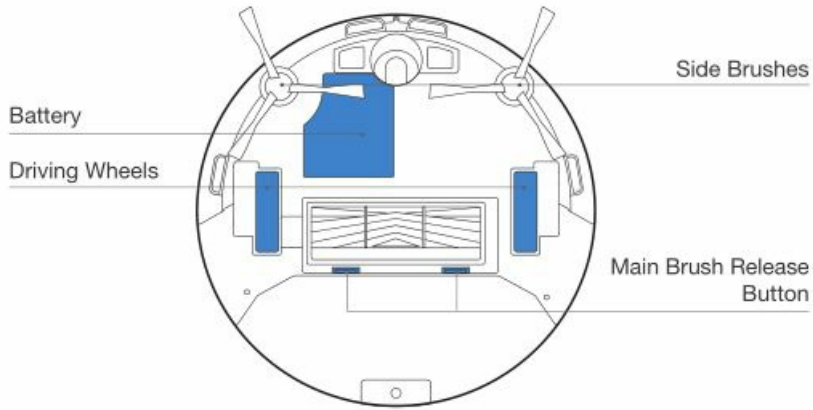
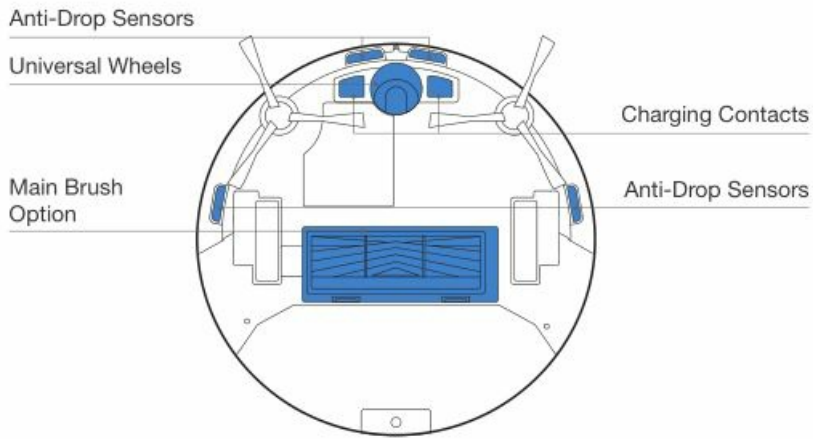
Note: Figures and illustrations are for reference only and may differ from actual product appearance. Product design and specifications are subject to changes without notice.

Product Diagram

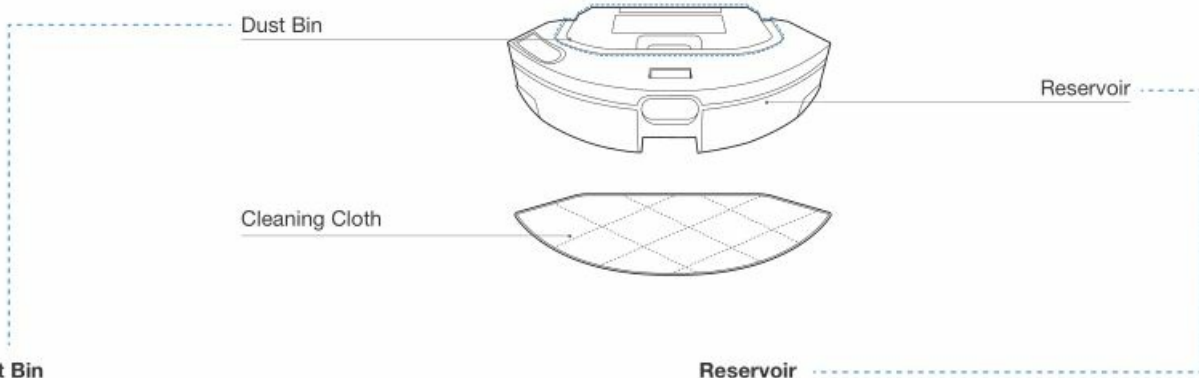
Robot



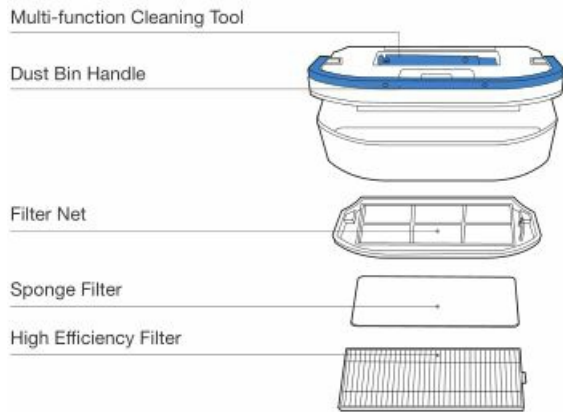
Bottom



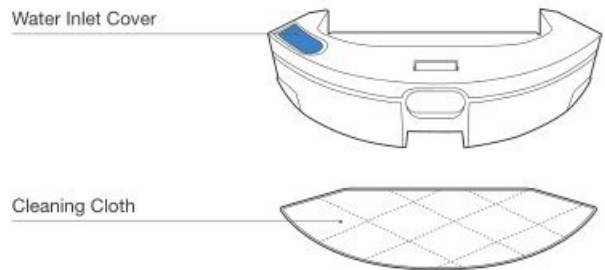
Dust Bin and Reservoir (Pre-installed)



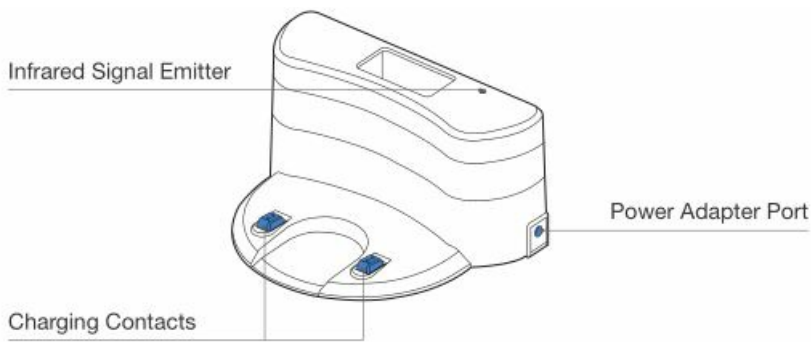
Dust Bin



Reservoir



Docking Station



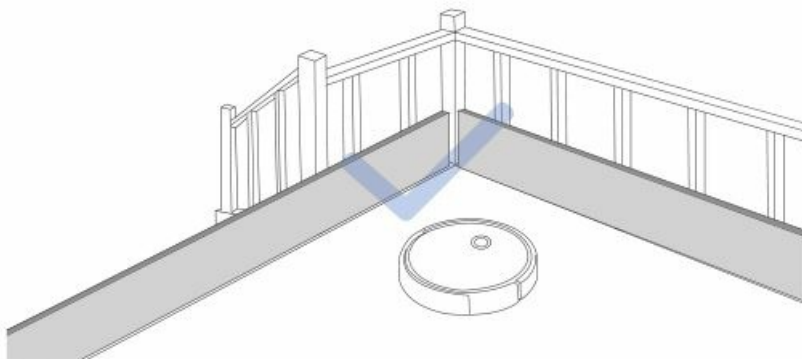
Operating and Programming

Notes Before Cleaning

Tidy up the area to be cleaned by putting furniture, such as chairs, in their proper place.



It may be necessary to place a physical barrier at the edge of a drop to stop the unit from falling over the edge.



Put away objects including wires, cloths and slippers, etc. on the floor to improve the cleaning efficiency.



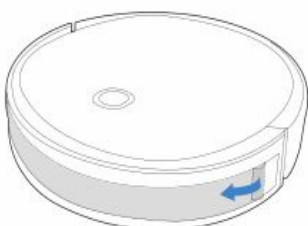
Before using the product on a rug with tasseled edges, please fold the rug edges under.

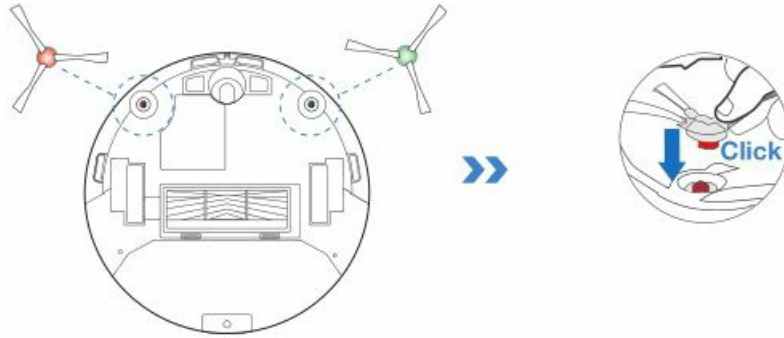


Please do not stand in narrow spaces, such as hallways, and make sure not to block DEEBOT.

Quick Start

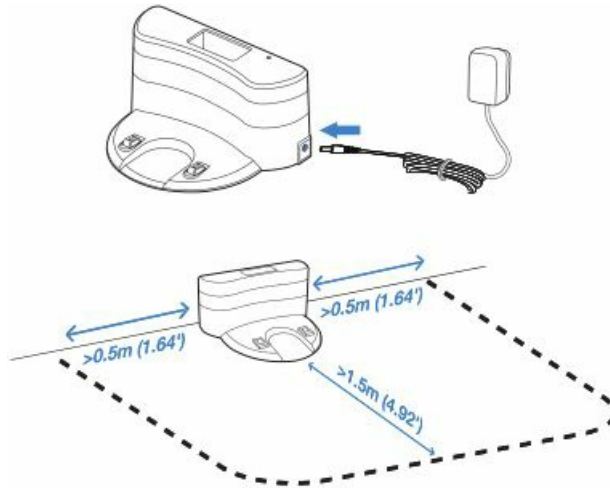
1. Remove Protective Materials



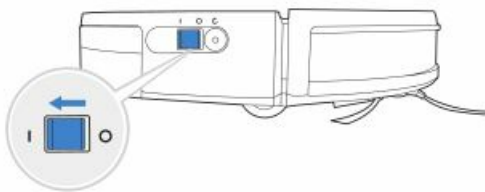


2. Install Side Brushes

Charging DEEBOT



1. Docking Station Placement



2. Power ON

DEEBOT cannot be charged when being powered OFF.

Note: I = ON, O = OFF



3. Charge DEEBOT

- Empty the reservoir and remove the Cleaning Cloth Plate before charging DEEBOT.
- It is suggested to avoid picking up or moving DEEBOT during the cleaning for DEEBOT to return to charge successfully.

ECOVACS HOME App

To enjoy all available features, it is recommended to control your DEEBOT via the ECOVACS HOME app.

Before you start, make sure that:

- Your mobile phone is connected to a Wi-Fi network.
- The 2.4GHz band wireless signal is enabled on your router.
- The Wi-Fi indicator light on DEEBOT is slowly flashing.



Q ECOVACS HOME



[Google Play](#) or [App Store](#)

Wi-Fi Indicator Light

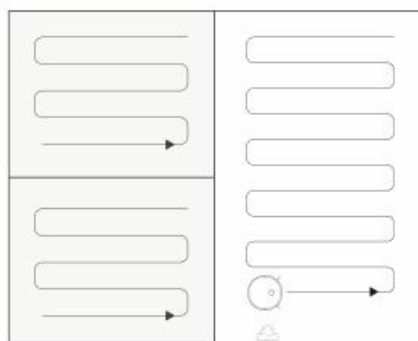
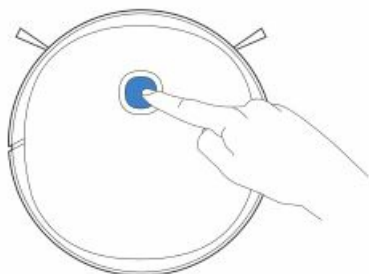
	Slowly flashing	Disconnected to Wi-Fi or waiting for Wi-Fi connection
	Rapidly flashing	Connecting to Wi-Fi
	Solid	Connected to Wi-Fi

Tips:

If you have any problems during the Wi-Fi setup process, refer to the Troubleshooting > Wi-Fi Connection section in this manual.

2.5 Operating DEEBOT

During the first cleaning, please supervise DEEBOT and assist it should there be a problem.

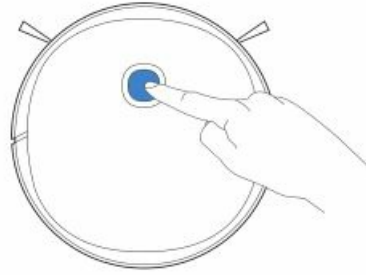


1. Start

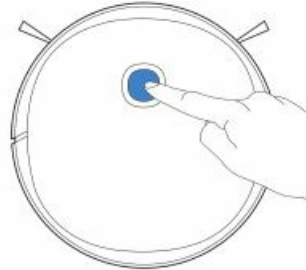
2. Start/Pause

The robot's Control Panel stops glowing after the robot is paused for a few minutes. Press the AUTO Mode

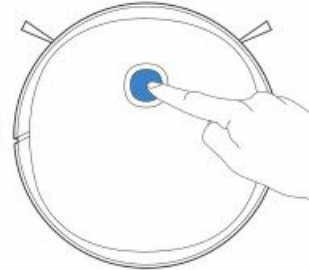
Pause



Wake Up



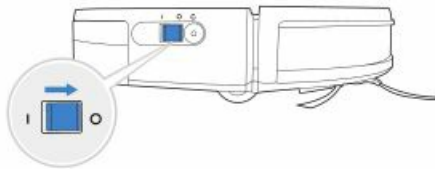
Start



Button on DEEBOT to wake up the robot.

If the pause duration is shorter than 10 minutes, DEEBOT will return to finish the cleaning where it left off.

If the



3. Power OFF

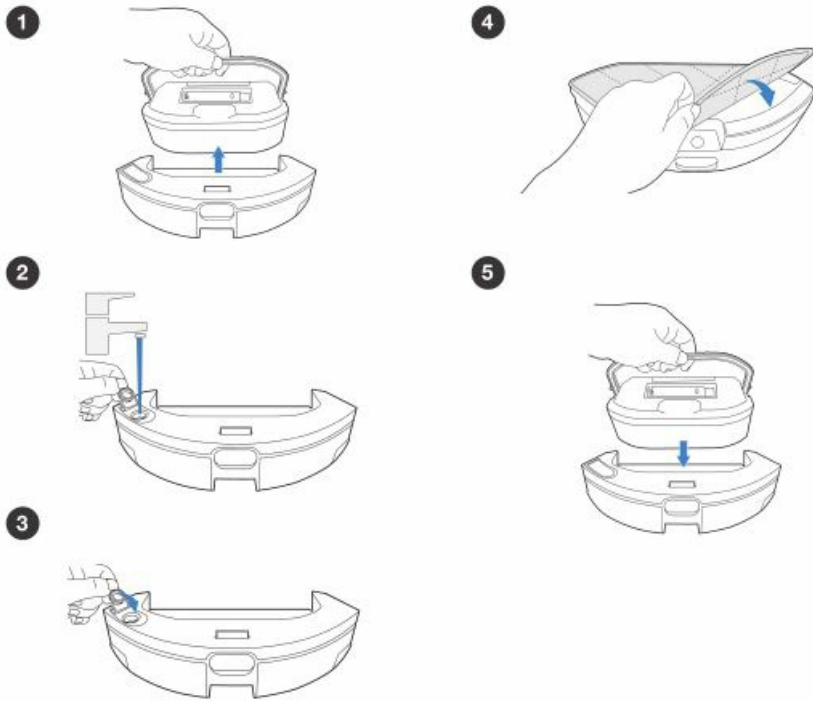
- If DEEBOT will not be used for a while, fully charge DEEBOT and power OFF before storage. Charge DEEBOT every 1.5 month to prevent battery drain.
- When DEEBOT is not cleaning, it is recommended to keep DEEBOT powered ON and charging.

Dust Bin & Reservoir

Note:

1. To prolong the service life of the reservoir, it is recommended to use purified water or softened water.
2. Please avoid using the mopping system on the carpet.

Add Water



Install Dust Bin & Reservoir



Maintenance

Regular Maintenance

To keep DEEBOT running at peak performance, perform maintenance tasks and replace parts with the following frequencies:

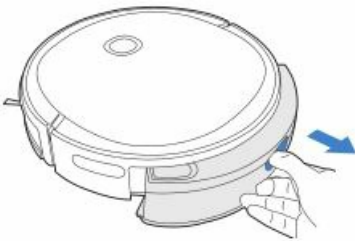
Robot Part	Maintenance Frequency	Replacement Frequency
Washable/Reusable Microfiber Cleaning Cloth	After each use	Every 50 washes
Reservoir	After each use	/
Side Brush	Once every 2 weeks	Every 3-6 months
Main Brush Tangle-free Brush	Once per week	Every 6-12 months
Sponge Filter/ High Efficiency Filter	Once per week	Every 3-6 months
Universal Wheel Anti-Drop Sensors Bumper Charging Contacts Docking Station Pins	Once per week	/

Before performing cleaning and maintenance tasks on DEEBOT, turn the robot OFF and unplug the Docking Station. A multi-function Cleaning Tool is provided for easy maintenance. Handle with care, this cleaning tool has sharp edges.

Note: ECOVACS manufactures various replacement parts and fittings. Please contact Customer Service for more information on replacement parts.

Dust Bin & Reservoir

Uninstall the Dust Bin & Reservoir

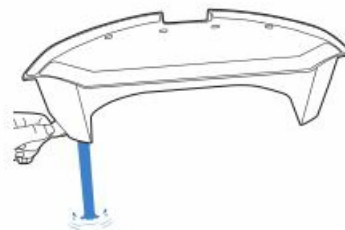


Reservoir

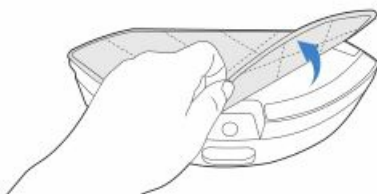
1



3



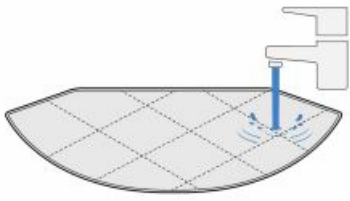
2



4

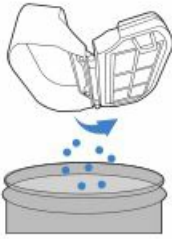


Washable/Reusable Microfiber Cleaning Cloth

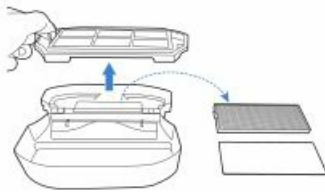


Dust Bin

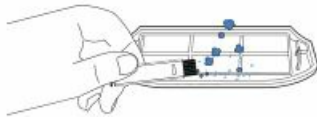
1



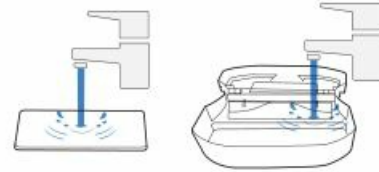
2



3



4

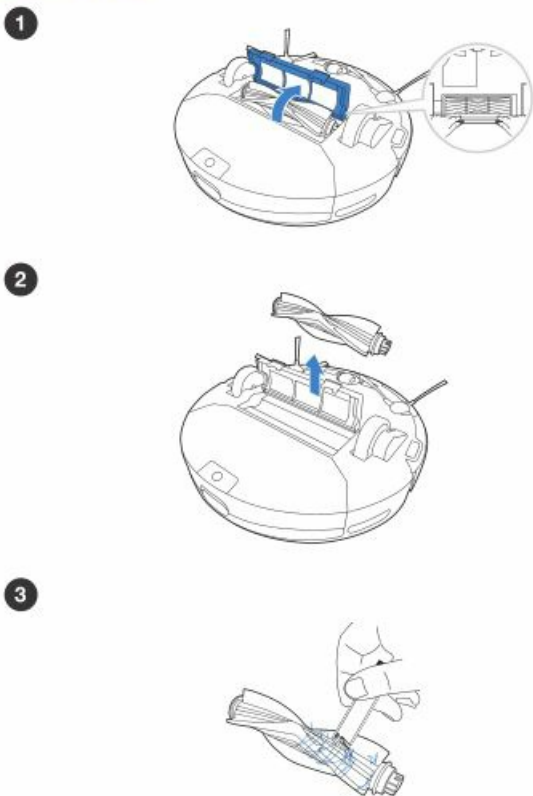


5

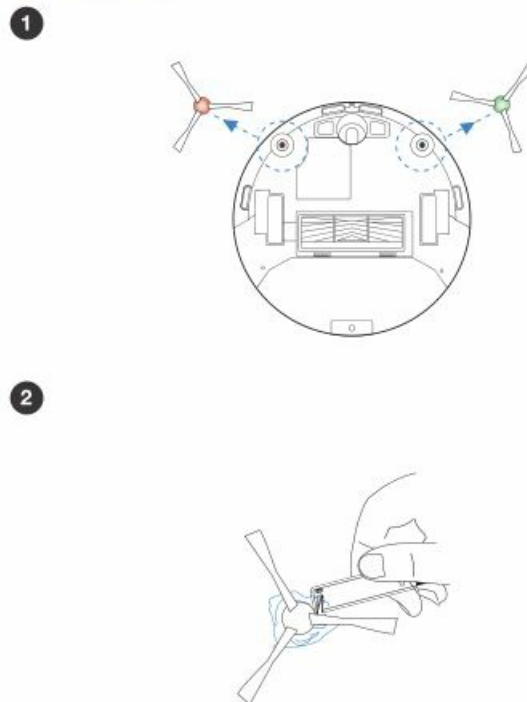


Main Brush & Side Brushes

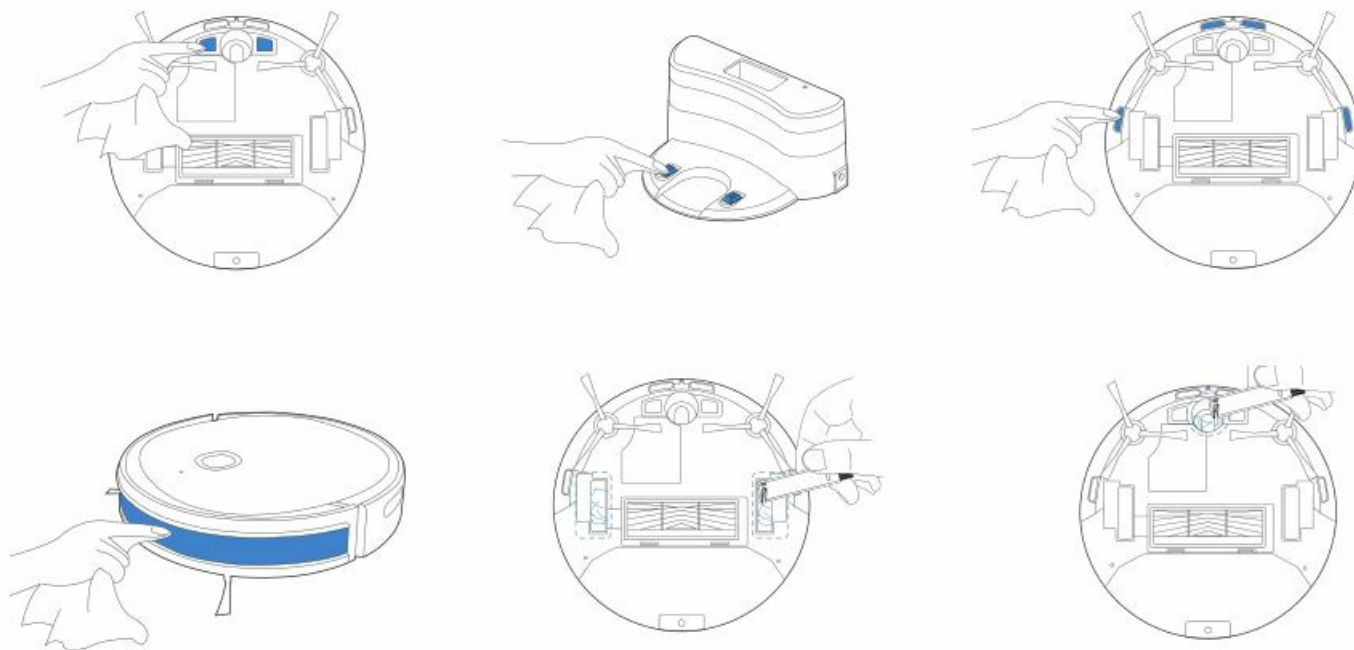
Main Brush



Side Brushes



Other Components



Troubleshooting

No.	Scenario	Possible Cause	Solution
1	DEEBOT is not able to connect to the home Wi-Fi network.	Incorrect home Wi-Fi username or password entered.	Enter the correct home Wi-Fi username and password.
		DEEBOT is not within range of your home Wi-Fi signal.	Make sure DEEBOT is within range of your home Wi-Fi signal.
		Network setup started before DEEBOT was ready.	Turn ON Power Switch. Press the RESET Button. DEEBOT is ready for network setup when its Wi-Fi Indicator light flashes slowly.
		DEEBOT does not support 5 GHz Wi-Fi.	Make sure the robot has been connected with 2.4 GHz Wi-Fi network.
2	DEEBOT is not charging.	DEEBOT is not switched ON.	Switch ON DEEBOT.
		DEEBOT has not connected to the Docking Station.	Be sure that the robot's Charging Contacts have connected to the Docking Station Pins.
		The Docking Station is not connected to the power supply.	Make sure the Docking Station is connected to the power supply.
		The battery is completely discharged.	Please contact Customer Care for help.
3	DEEBOT cannot return to the Docking Station.	The Docking Station is not correctly placed.	Refer to Section 2.3 correctly place the Docking Station.
		The Docking Station is not correctly connected.	Make sure the Docking Station is correctly connected.
		The Docking Station is manually moved during the cleaning.	It is suggested not to move the Docking Station during the cleaning.
		DEEBOT did not start cleaning from the Docking Station.	Make sure DEEBOT starts cleaning from the Docking Station.
4	DEEBOT misses cleaning spots to be cleaned, or repeats cleaning the area cleaned.	The cleaning cycle is interfered by small objects or barriers on the floor.	Remove power cords and small objects from the floor to ensure cleaning efficiency. DEEBOT will automatically clean the area missed, please avoid moving DEEBOT manually or block the path during the cleaning cycle.
		DEEBOT is working on slippery polished floors.	Make sure the floor wax is dried before DEEBOT starts cleaning.
		DEEBOT is unable to reach certain areas blocked by furniture or barriers.	Tidy up the area to be cleaned by putting furniture and small objects in their proper place.
5	DEEBOT gets stuck while working and stops.	DEEBOT gets stuck while working and stops.	DEEBOT will try various ways to free itself. If it is unsuccessful, manually remove the obstacles and restart.
		DEEBOT might be stuck under furniture with an entrance of similar height.	Please set a physical barrier.
6	DEEBOT is making too much noise when cleaning.	DEEBOT is tangled or blocked with debris.	Clean DEEBOT as described in section Maintenance and restart. If the trouble persists, please contact Customer Care.

Wi-Fi Connection

Before Wi-Fi setup, make sure DEEBOT, mobile phone, and Wi-Fi network meet the following requirements.

DEEBOT and Mobile Phone Requirements

- DEEBOT is fully charged and the power switch of DEEBOT is turned on.
- Wi-Fi status light slowly flashes.
- Turn off mobile phone's cellular data (you can turn it back on after setup).

Wi-Fi Network Requirements

- You are using a 2.4GHz or 2.4/5 GHz mixed network.
- Your router supports 802.11b/g/n and IPv4 protocol.
- Do not use a VPN (Virtual Private Network) or Proxy Server.
- Do not use a hidden network.
- WPA and WPA2 using TKIP, PSK, AES/CCMP encryption.
- WEP EAP (Enterprise Authentication Protocol) is not supported.
- Use Wi-Fi channels 1-11 in North America and channels 1-13 outside North America (refer to local regulatory

agency).

- If you are using a network extender/repeater, the network name (SSID) and password are the same as your primary network.

Product Specifications

Model	DGN22-32		
Rated Input	19V === 0.6 A 11.4 W		
Docking Station Model	DN622.13		
Rated Output Voltage	19V ===	Rated Output Current	0.6A
Power Adapter Model	DK18-190060H-B/YJS015F-1900600B(HK)		
Off/Standby Mode Power	Less than 0.50 W		
Networked Standby Power	Less than 2.00 W		
Frequency Bands	Operating frequency: 2412MHz - 2472MHz		

* Output power of the Wi-Fi module is less than 100mW.

Note: Technical and design specifications may be changed for continuous product improvement.

Ecovacs Robotics Co., Ltd.

No. 18 You Xiang Road, Wuzhong District, Suzhou City,
Jiangsu Province, P.R.China

File Downloads



Instruction Manual [Download](#) [optimized]
Deebot U2 [Download](#)

References

- [Robot Vacuum Cleaners | Auto Cleaning Robots - ECOVACS](#)
- [Product Compliance - ECOVACS Website](#)

Related Manuals

1. [ECOVACS Deebot Instruction Manual](#) ECOVACS Deebot Important Safety Instructions This Appliance is not intended...
2. [ECOVACS Deebot 500 Instruction Manual](#) ECOVACS Deebot 500 Important Safety Instructions When using an...
3. [ECOVACS Deebot N8 Pro Instruction Manual](#) ECOVACS Deebot N8 Pro IMPORTANT SAFETY INSTRUCTIONS When using an...
4. [ECOVACS Deebot Pro 930 Instruction Manual](#) Deebot Pro 930 Instruction Manual Bedienungsanleitung Manual de instrucciones Manuel...
5. [Bluedio U2 User Manual](#) User Manual: Bluedio Headphones Model: U2 Headphones Overview In The...
6. [Anker SoundCore Life U2 User Manual](#) USER MANUAL WEARING Choose the EarTips and EarWings that fit...